

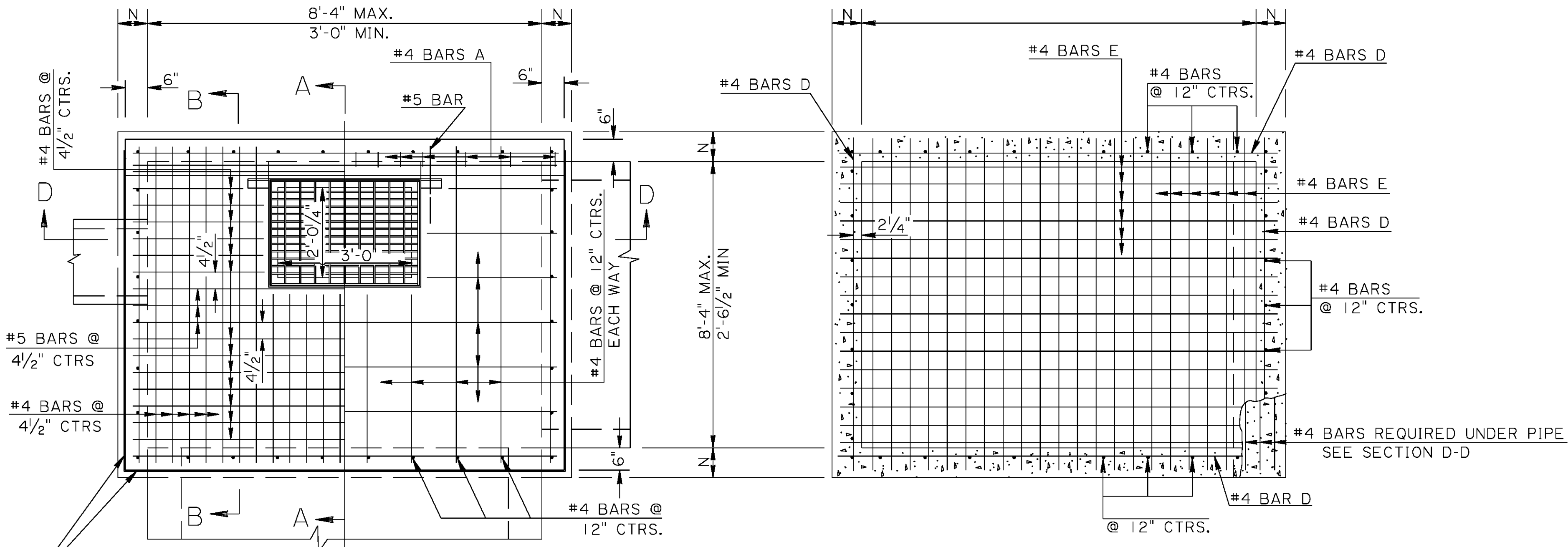
GENERAL NOTES:

- CATCH BASIN IS DESIGNED ACCORDING TO CURRENT AASHTO PROCEDURES. SECTION 702 OF THE LAFAYETTE CONSOLIDATED GOVERNMENT STANDARD SPECIFICATIONS SHALL APPLY.
- CONCRETE: ALL CONCRETE SHALL BE CLASS "A" MINOR STRUCTURE. ALL EXPOSED EDGES SHALL BE CHAMFERED 3/4 IN. EXCEPT AS NOTED.
- REINFORCING STEEL: REINFORCING STEEL SHALL BE GRADE 60. DIMENSIONS ARE TO BAR CENTERS. MINIMUM COVER FOR REINFORCING BARS SHALL BE 2 IN. CLEAR UNLESS SHOWN OTHERWISE.
- AS DEPTH INCREASES THE WALL AND SLAB THICKNESSES AND REINFORCEMENT SHOULD BE INCREASED AS SHOWN IN THE TABLE BELOW. THE CONTRACTOR HAS THE OPTION TO PROVIDE THE MAXIMUM REQUIRED WALL THICKNESS FOR THE FULL DEPTH OF THE STRUCTURE.

DEPTH RANGE	WALLS				BOTTOM SLAB			
	N	D BARS	As *	T	E BARS	As *	T	E BARS
0' TO 9'	6.0	4	6.5	0.37	6.0	4	7.0	0.34
9'-1" TO 12'	6.5	4	5.5	0.44	6.5	4	6.0	0.40
12'-1" TO 16'	7.0	4	4.5	0.53	7.0	4	5.0	0.48
16'-1" TO 20'	7.5	4	4.0	0.60	7.5	4	4.5	0.53

* BAR SIZES AND SPACING MAY BE DIFFERENT THAN REQUIRED BUT THE AREA OF STEEL (As), SHALL BE EQUAL TO OR GREATER THAN REQUIRED. ALTERNATE BAR SIZE AND SPACING TO BE APPROVED BY THE PROJECT ENGINEER.

- FOR DETAILS OF METAL GRATE AND GRATE SEAT, SEE STD. PLAN MC-01, TYPE C & TYPE F.
- THE CONTRACTOR WILL NOT POUR ABOVE THE BOTTOM OF THE SLAB UNTIL THE PAVING ADJACENT TO THE CATCH BASIN HAS BEEN COMPLETED.
- FOR REQUIREMENTS FOR WEEP HOLE DETAILS FOR STREET INLETS SEE, "CATCH BASIN SPECIAL DETAIL-01" (CB-SD-01).

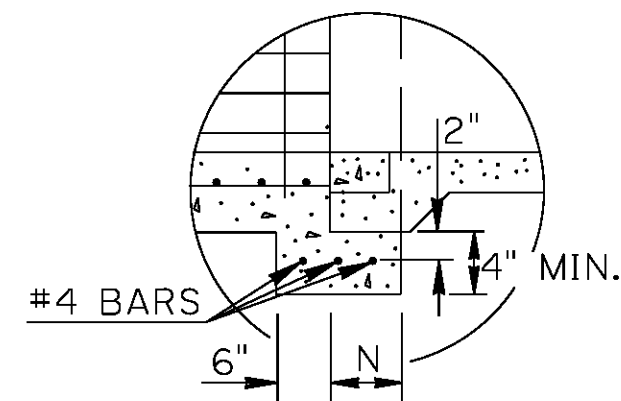


SECTIONAL PLAN

(SHOWING REINFORCING IN BOTTOM SLAB AND WALLS)

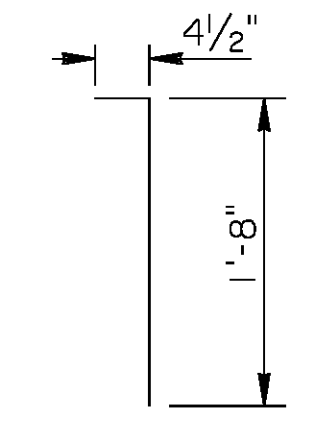
(BOTTOM LAYER OF STEEL) (TOP LAYER OF STEEL)
3/4" EXPANSION JOINT MATERIAL BETWEEN BASIN AND PAVEMENT

TOP SLAB PLAN

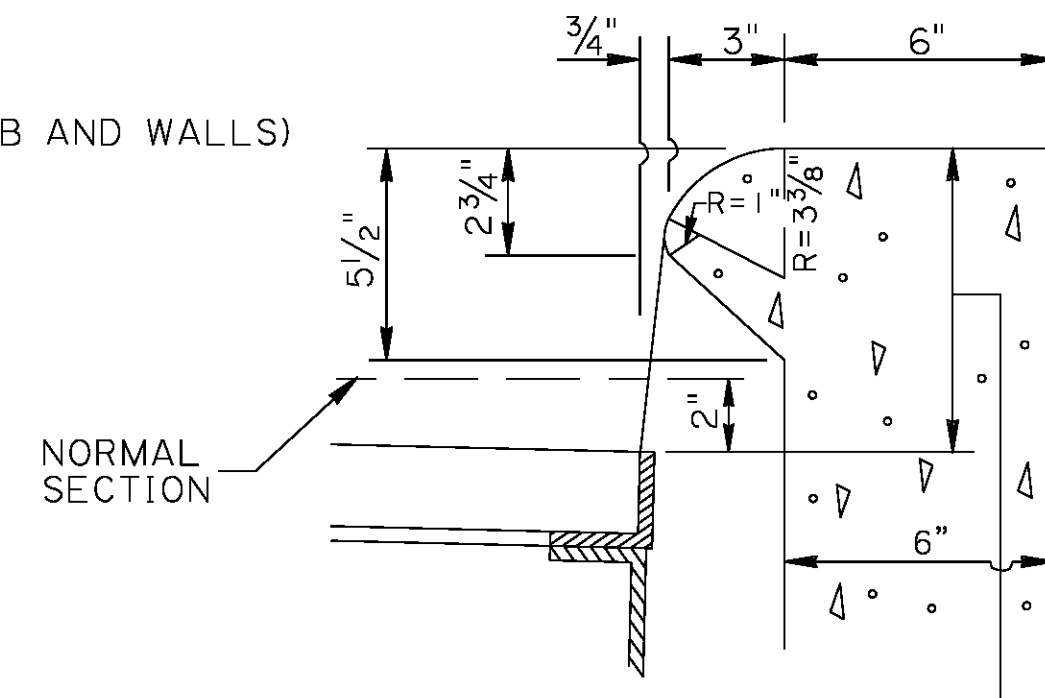


INSET "A"

RCP WITH BELLJOINT

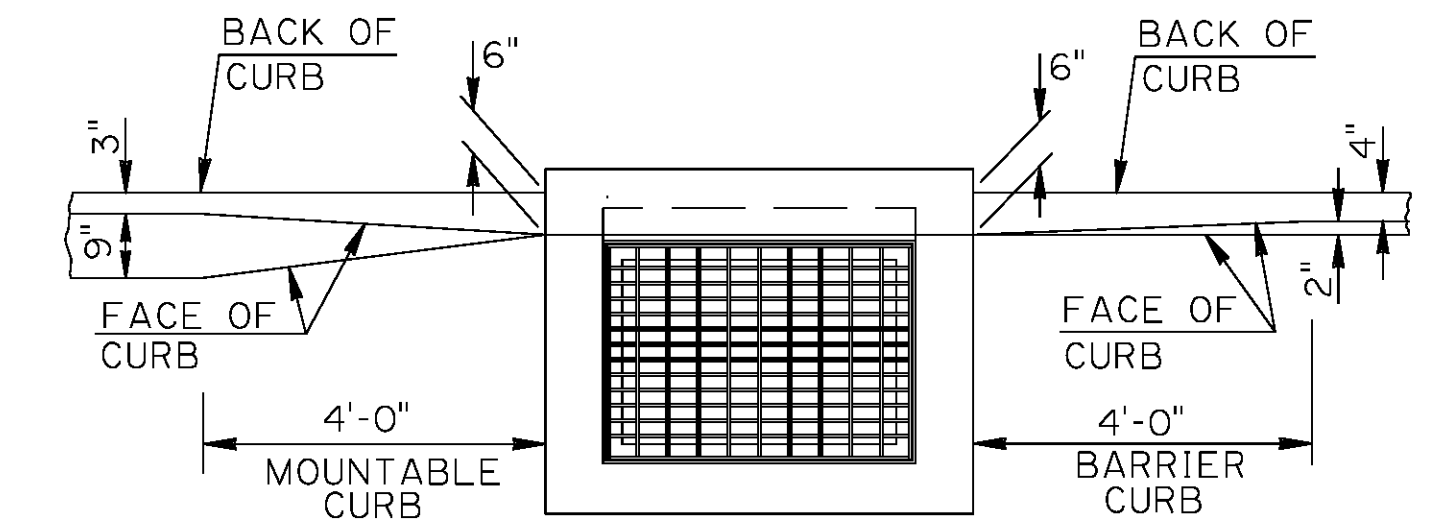


#4 BARS A

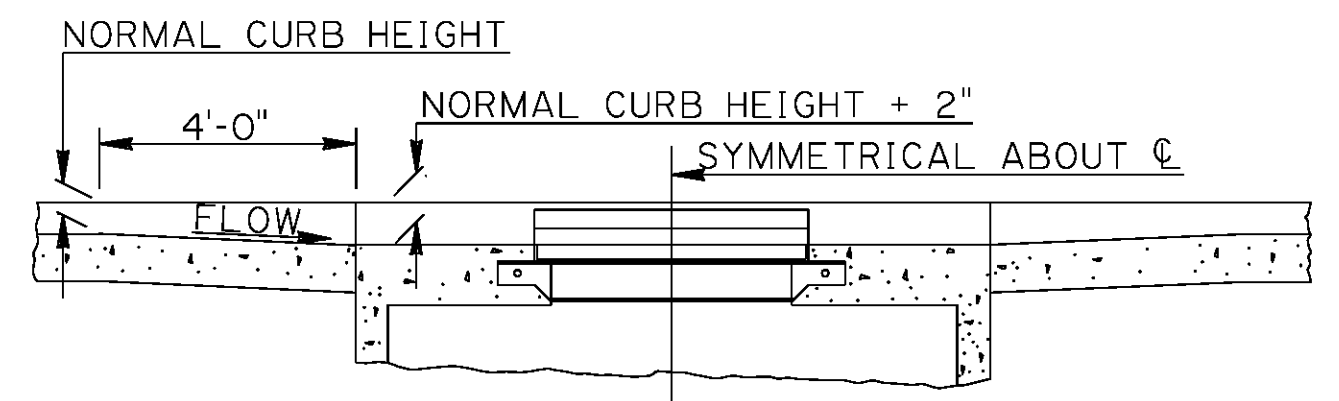


VARIES (6" FOR 4" MOUNTABLE CURB)
(8" FOR 6" BARRIER CURB)

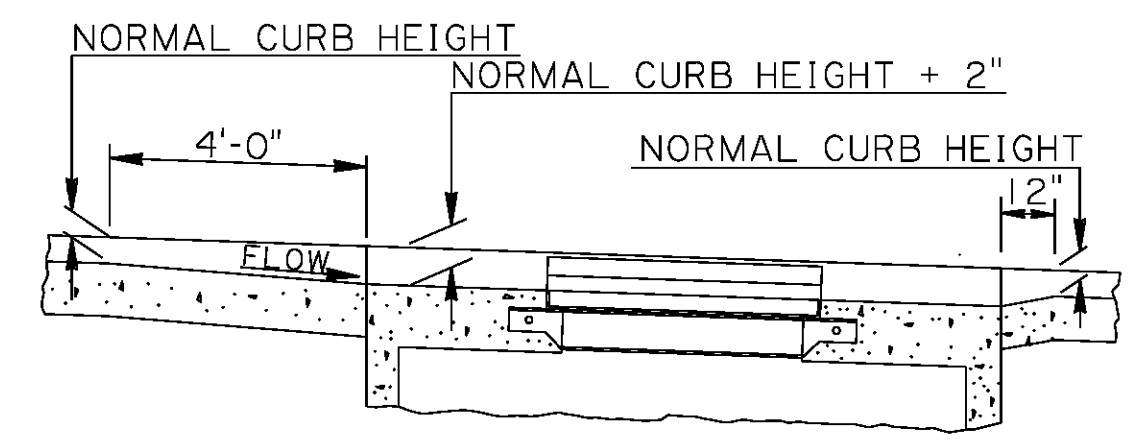
DETAIL OF OPENING IN CURB



TRANSITION IN CURB WIDTH
(TYPICAL)

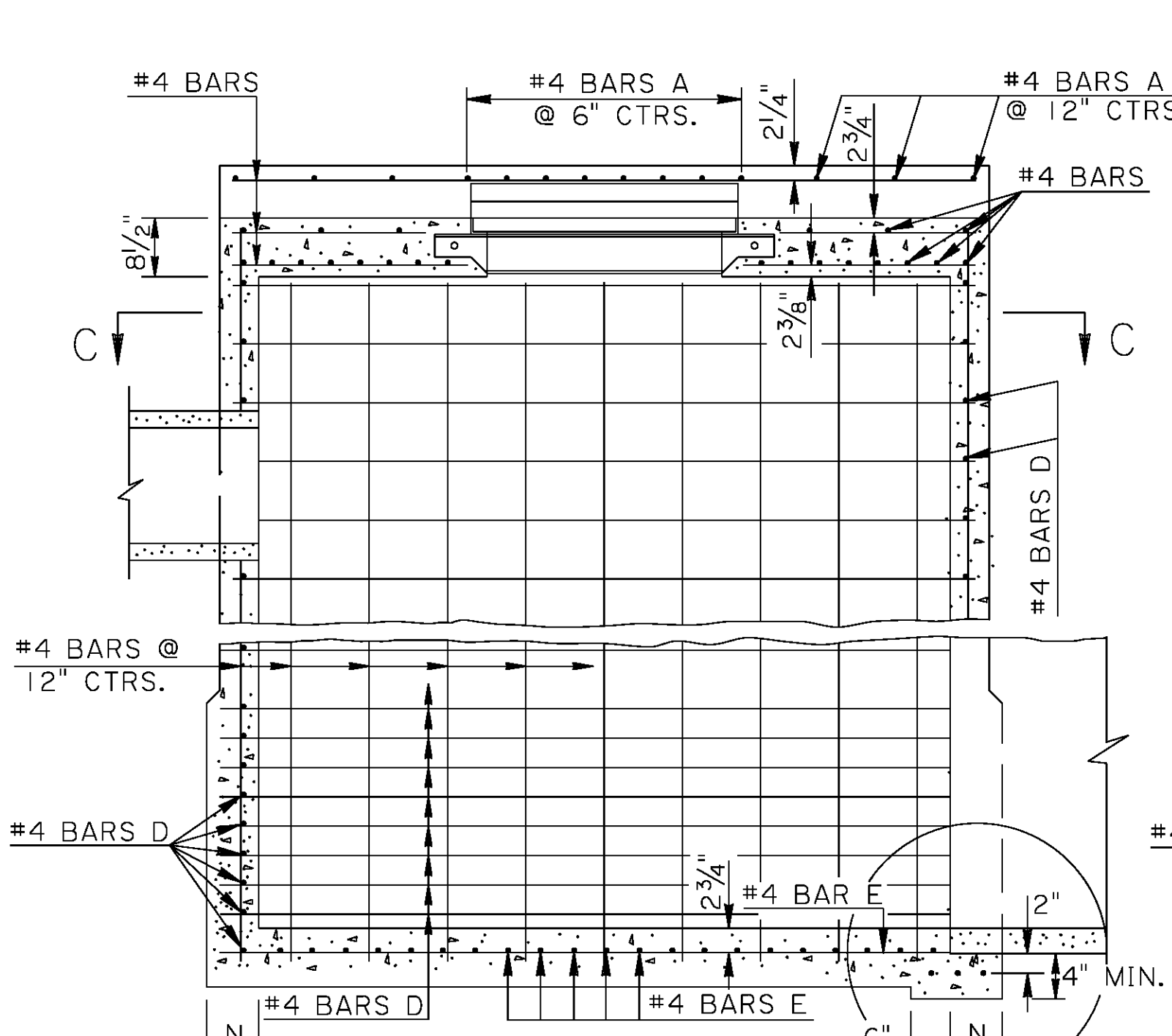


TRANSITION IN CURB HEIGHT
CATCH BASIN AT LOW POINT

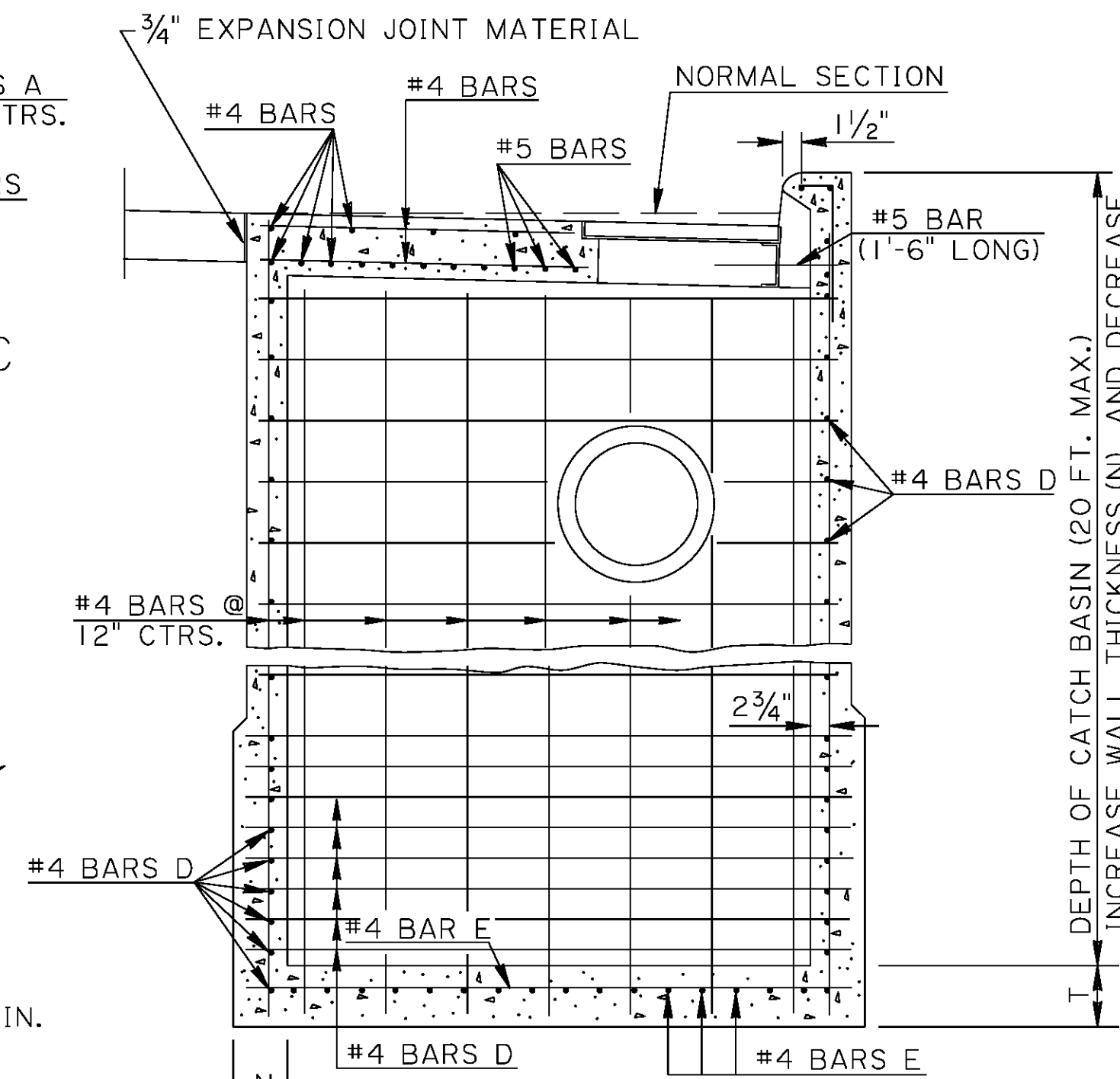


TRANSITION IN CURB HEIGHT
CATCH BASIN ON A GRADE

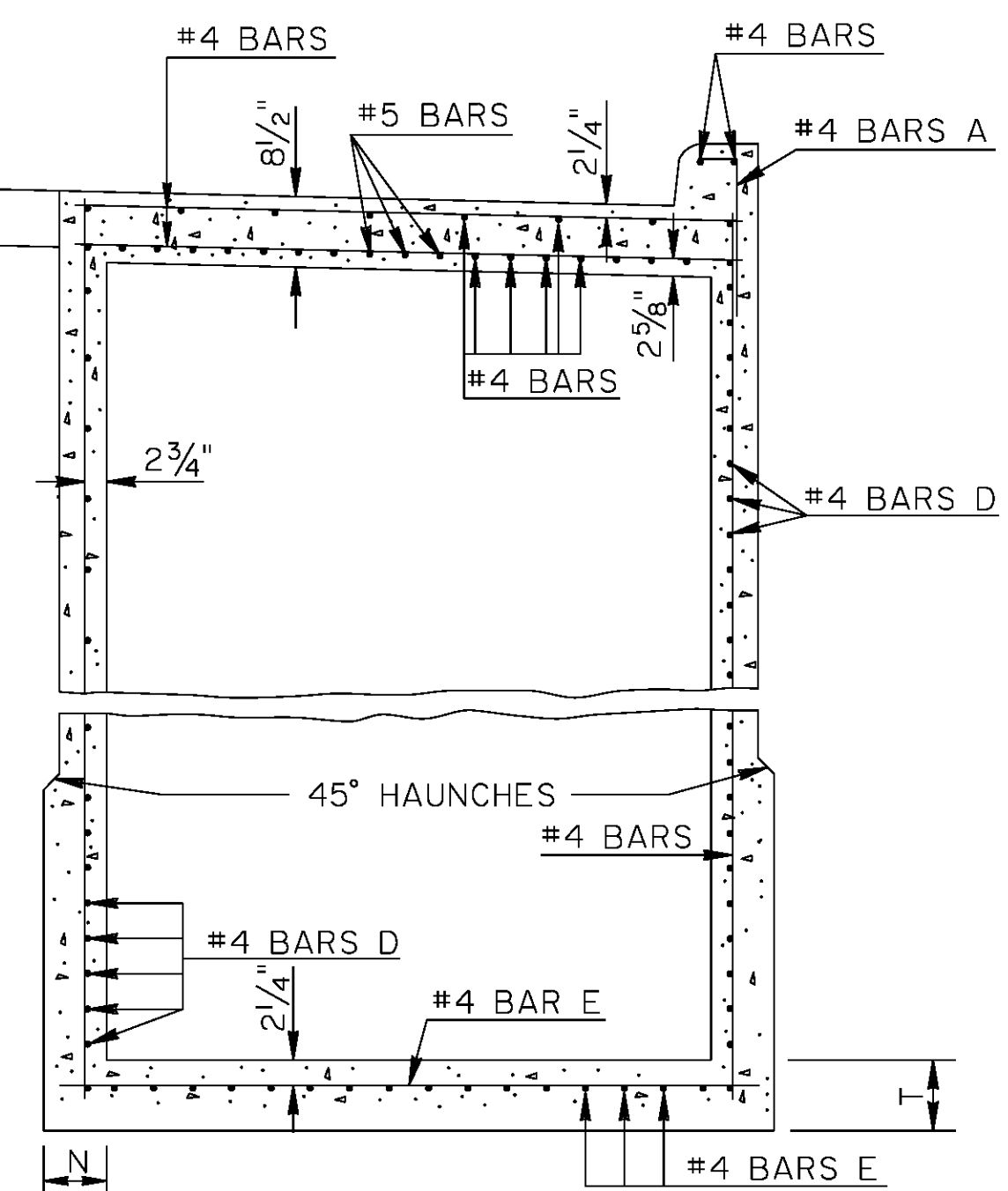
NOTE:
FOR REQUIREMENTS FOR WEEP HOLE DETAILS FOR STREET INLETS SEE, "CATCH BASIN SPECIAL DETAIL-01" (CB-SD-01).



SECTION D-D



SECTION A-A



SECTION B-B

DEPTH OF CATCH BASIN (20 FT. MAX.) INCREASE WALL THICKNESS (N), AND DECREASE STEEL SPACING AS REQUIRED. SEE NOTE 4.