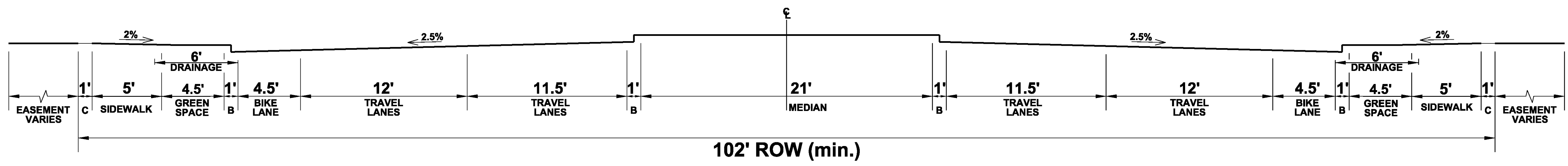
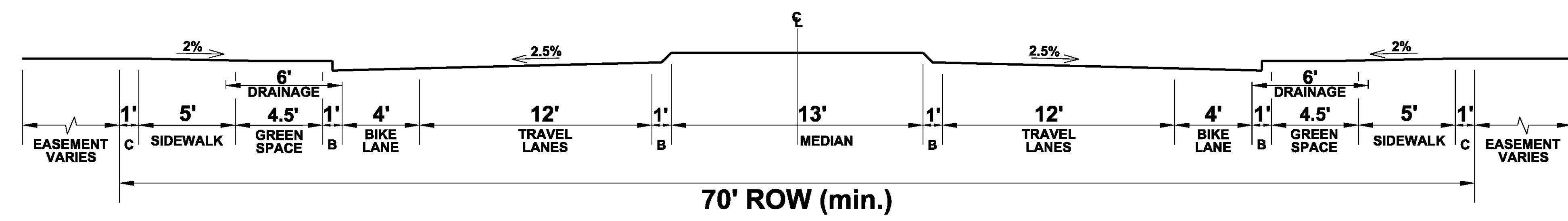


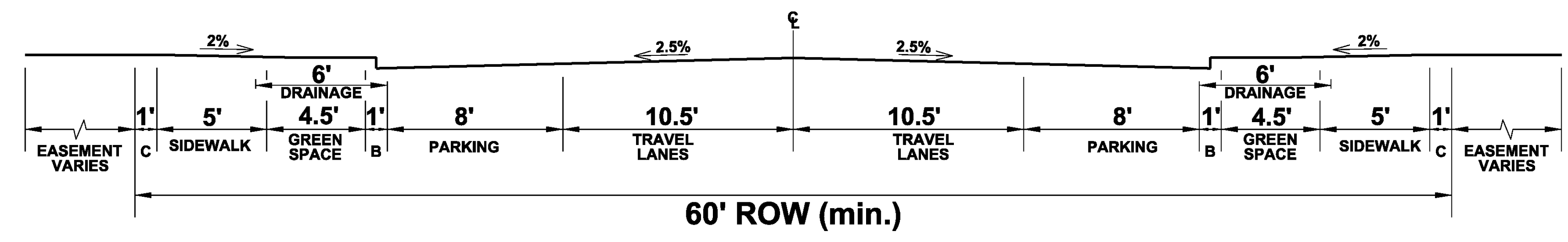
**ARTERIAL  
(with Bike Lane)  
CH, CM**



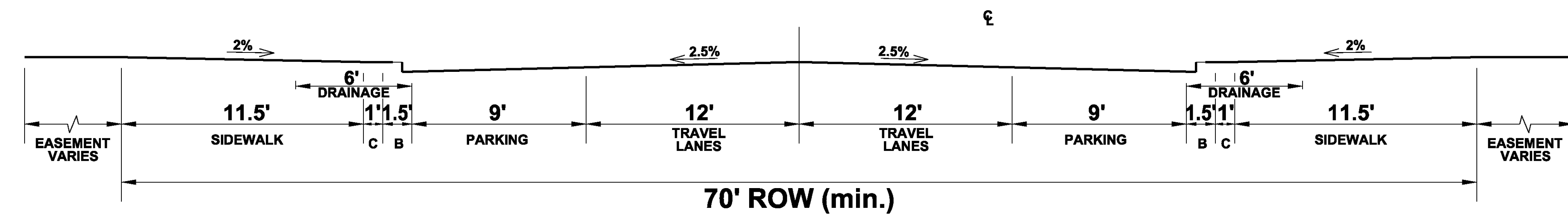
**MAJOR/MINOR COLLECTOR  
(with Bike Lane)  
A, RS, RM, MN, MX, CM**



**MAJOR/MINOR COLLECTOR  
(with On-Street Parking)  
RM, MN, MX**



**MAJOR/MINOR COLLECTOR  
(with On-Street Parking)  
D**



**A - 6" ROLLOVER CURB  
B - 6" BARRIER CURB  
C - STREET LIGHT  
(MAY BE SIDEWALK  
OR GREEN SPACE)**

*NOT TO SCALE*